

WH302A

Wireless N300 High Power Access Point

WH302A is a 300Mbps indoor ceiling access point for hotels, resorts, hospitals, office buildings, universities, or other multi-building campus environments that need to extend and expand an existing network wireless. Adopt Independent power amplifier to enhance wireless signal for client devices, such as wireless laptops, tablets and smartphones. With the aesthetic ceiling Design, WH302A can be deployed easily on ceiling or in crawlspaces. Also, WH302A can be deployed in areas where power outlets are scarce or not available with PoE 802.3af compliant.



Ceiling Design

With the aesthetic ceiling Design, WH302A can be deployed easily on ceiling or wall.



High Power Design

Adopt independent power implifier to provide 400mw RF transmit power. Thus, the wireless signal is stronger and the coverage is optimized.



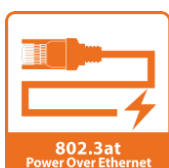
Wireless N300 Speed

WH302A transfer rates of up to 300 Mbps on the 2.4 frequency bands for faster file transfers and smoother video streaming.



Gigabit Ethernet Port

Up to 10X faster data transfer than tradinational Fast Ethernet. Ideal for streaming videos, VOIP, music, and multimedia applications.



Power Over Ethernet(802.3af)

The port on the back panel is PoE 802.3af compliant , which allows both power and data to be carried over a single Ethernet cable to WH302A. So the WH302A can be deployed in areas where power outlets are scarce or not available.



Industry Wireless Security

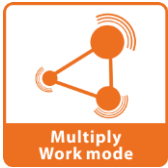
WH302A offers multi-level wireless encryption options to prevent unauthorized access and protect your important data.

- 1.64/128bit WEP,WPA-PSK,WPA2-PSK,WPA&WPA2-PSK,WPA,WPA2
- 2.Wireless Access Control based on the mac address of wireless adapter



SSID to VLAN tagging

WH302A can be configured to broadcast up to 4 SSID. Each SSID can be tagged to a specified network VLAN for different user access based on established access rights.



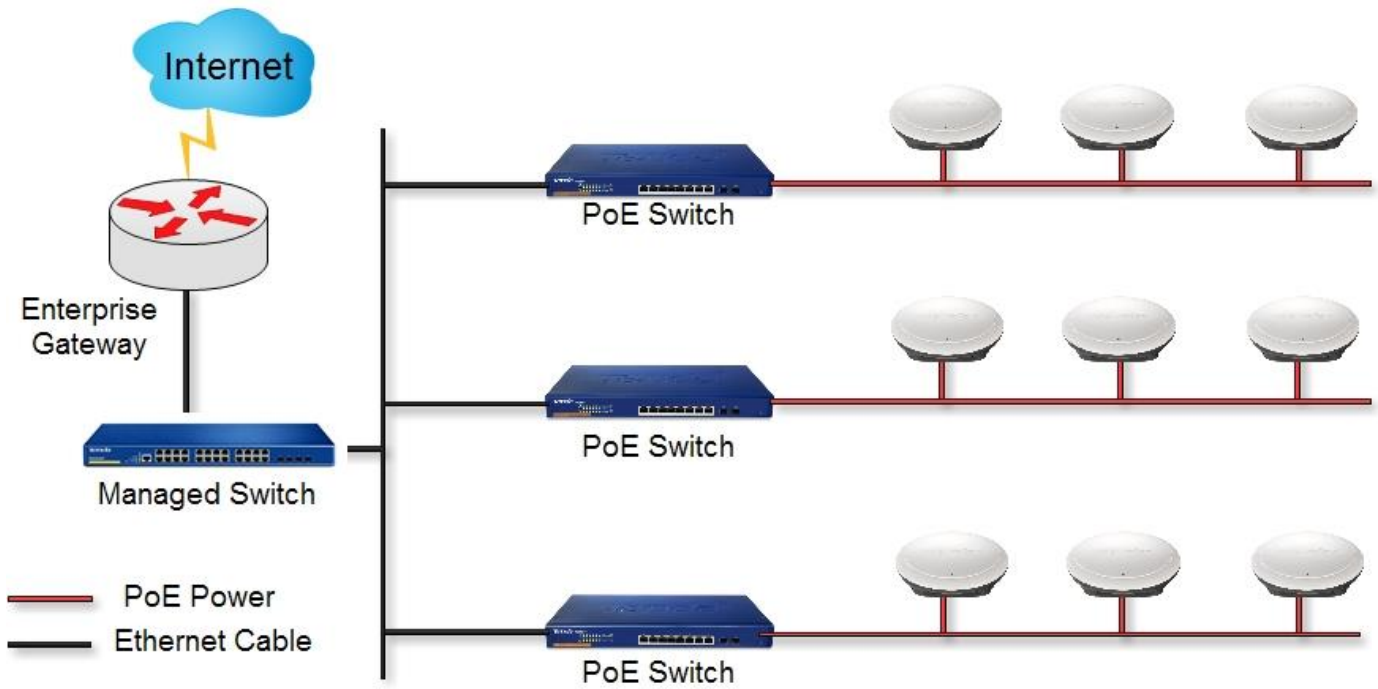
Multiply Operation mode

WH302A can be configured to work as wireless Access Point,WDS Repeater, Universal Repeater mode and help you expand existing network.

Deploy Scenarios



Solution Topology



Specifications

Hardware Features	
Dimensions	144.2*144.2*40.12mm
AP Type	Fat AP
Interfaces	1*GE LAN
Antennas	2*2dbi printed antennas
Button	1*Reset
Power Method	802.3at PoE/DC 12V=1A
Maximum Power Consumption	11W
Maximum Transmit Power	400mw(26dbm)
LED indicator	SYS

Software Features	
Compliant Standards	IEEE 802.11n/g/b
Frequency Range	2.4GHz-2.483GHz
Maximum wireless speed	300Mbps
Wireless Basic Settings	4 SSID Enable/Disable Wireless Radio Wireless Client isolation Wireless Access Control Wireless Client list SSID-To-VLAN tagging Adjust transmit power by dBm
Wireless Security Settings	64/128 WEP WPA-PSK WPA2-PSK WPA&WPA2-PSK WPA WPA2
Working mode	AP,WDS,Universal Repeater
Maximum Concurrent Clients	20
Receiver sensitivity	b mode: 1M -89dBm@8% 11M -87dBm@8% PER; g mode: 54M -74dBm@8% PER; n mode: 72.2M -72dBm@8% PER; 150M -70dBm@8% PER
Modulation	MIMO-OFDM/OFDM/DSSS

LAN Settings	Static IP Dynamic IP
DHCP Server	DHCP Server Clients list
VPN Pass-Through	PPTP L2TP
Management Tool	SNMP(v1&v2c) Reboot System Log Firmware update Time&Date Setting Backup/Restore Configuration Username Management Diagnostic Tool(ping)

Others

Package Contents	Wireless N300 High Power Access Point WH302A 1*Mounting Bracket 1*Quick Installation Guide 1*Ethernet cable 1*Resource CD 1*Power Adapter 4*Screws 4*Plastic Bolt
Operating Temperature	-10℃~45℃
Storage Temperature	-30℃~70℃
Operating Humidity	10%~90% non-condensing
Storage Humidity	10%~90% non-condensing
Default Settings	IP Address: 192.168.0.254 Login Username:admin Login Password:admin
Certifications	FCC/CE/Rohs

SHENZHEN TENDA TECHNOLOGY CO.,LTD.

Tenda Technology Tower ,#1001 Int'l E-City Zhongshanyuan Road,Nanshan District,
Shenzhen China 518052

Phone: (86 755) 2765 7180 Fax:(86 755) 2765 7178

Email: sales@tenda.com.cn support@tenda.com.cn

<http://www.tendacn.com>



©2013 SHENZHEN TENDA TECHNOLOGY CO.,Ltd, the Tenda logo is registered trademark of Shenzhen Tenda Technology Co.,Ltd in China and/or other countries.
Other brand and product names are trademarks or registered trademarks of their respective holders. Information is subject to change without notice. ALL rights reserved.