

W312A

Wireless N300 Wall Plate Access Point

W312A is the latest generation wall plate Wi-Fi access point (AP) which can be installed in any 86mm wall plate without breaking the existing decorations and is easily managed. It is well suited to university dormitories, hospital wards, hotel rooms and other sites with densely divided rooms. It helps mitigate signal quality problems caused by traditional AP deployment in such sites, and greatly reduces capital expenses and operation expenses in running these sites.



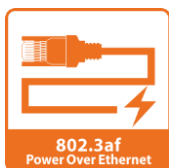
Wireless N300 Speed

W312A transfer rates of up to 300 Mbps on the 2.4 frequency bands for faster file transfers and smoother video streaming.



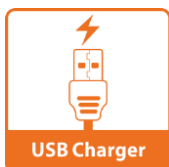
Standard 86mm Panel Design

W312A uses a standard 86 x 86mm wall plate and can leverage existing 86mm network panel cover. No professional skill is needed to install the W312A. As W312A sticks to 86 x 86 standard wall plate size, it will pose no problem to neighborhood panels or other decorations, and create negligible changes to existing decorations.



Power Over Ethernet(802.3af)

The port on the back panel support Power over Ethernet (PoE) functionality, which allows both power and data to be carried over a single Ethernet cable to W312A.



USB Charger

W312A provides a 5V 500mA USB charger output port, you can use your existing USB charging cables to charge most USB powered devices like Smart Phones, MP3 Players.



Advanced Wireless Security

W312A offers multi-level wireless encryption options to prevent unauthorized access and protect your important data.

1.64/128bit WEP,WPA-PSK,WPA2-PSK,WPA&WPA2-PSK,WPA,WPA2

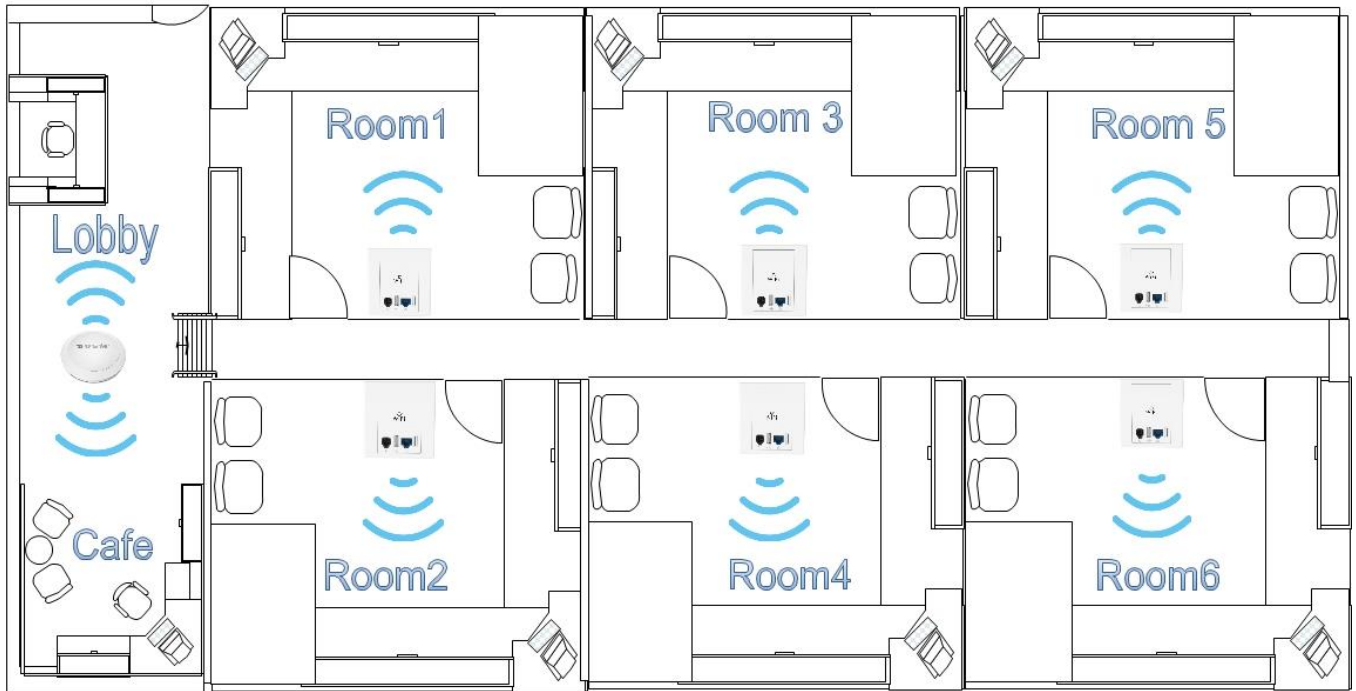
2.Wireless Access Control based on the mac address of wireless adapter



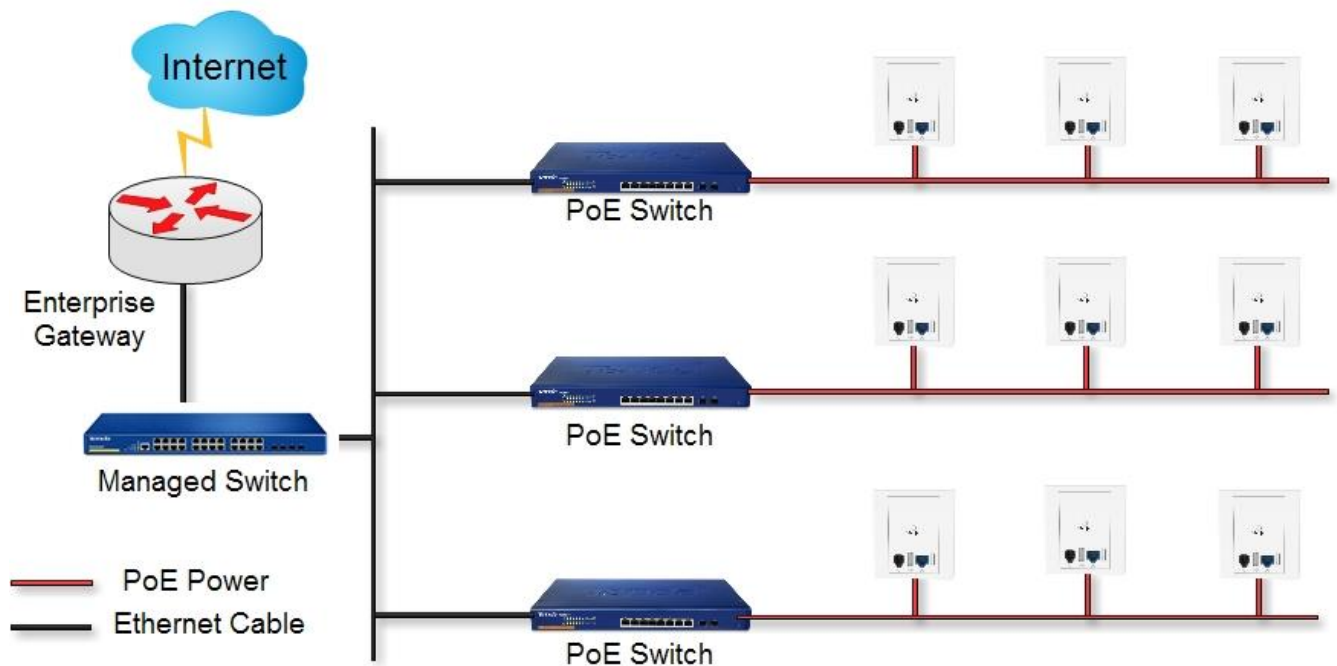
SSID to VLAN tagging

W312A can be configured to broadcast up to two SSID. Each SSID can be tagged to a specified network VLAN for different user access based on established access rights.

Deploy Scenarios



Solution Topology



Specifications

Hardware Features	
Dimensions	86*86*35mm
Weight	104.6g(173.6g include the package)
AP Type	Fat AP
Interfaces	2*FE LAN ports 1*RJ11 Telephone port 1*USBv2.0
Antennas	2*3dbi omni-directional antennas
Button	1*Reset
Power Method	802.3af PoE
Maximum Power Consumption	9W
LED indicator	WiFi

Software Features	
Compliant Standards	IEEE 802.11n/g/b
Frequency Range	2.4GHz-2.483GHz
Maximum wireless speed	300Mbps
Maximum Transmit Power	18dbm
Wireless Basic Settings	Multiple SSID Enable/Disable Wireless Radio Wireless Client isolation Wireless Access Control Wireless Client list SSID-to-VLAN Tagging
Wireless Security Settings	64/128 WEP WPA-PSK WPA2-PSK WPA&WPA2-PSK WPA WPA2
Working mode	AP
Maximum Concurrent Clients	12
Receiver sensitivity	b mode : 1M -92dBm@8% 11M -87dBm@8% PER ; g mode : 54M -72dBm@8% PER ; n mode : 72.2M -68dBm@8% PER ; 150M -68dBm@8% PER

Modulation	OFDM : BPSK@6/9Mbps、QPSK@12/18Mbps、16-QAM@24Mbps、64-QAM@48/54Mbps DSSS : DBPSK@1Mbps、DQPSK@2Mbps、CCK@5.5/11Mbps MIMO-OFDM : MCS 0-23
LAN Settings	Static IP Dynamic IP
DHCP Server	DHCP Server Clients list
VPN Pass-Through	PPTP L2TP
Management Tool	SNMP(v1&v2c) Reboot System Log Firmware update Time&Date Setting Backup/Restore Configuration Username Management Diagnostic Tool(ping)

Others	
Package Contents	Wireless N300 Wall Plate Access Point W312A Quick Installation Guide Ethernet cable Two Screws Resource CD
Operating Temperature	-10°C~45°C
Storage Temperature	-30°C~70°C
Operating Humidity	10%~90% non-condensing
Storage Humidity	10%~90% non-condensing
Default Settings	IP Address: 192.168.0.254 Login Username:admin Login Password:admin
Certifications	FCC/CE/Rohs

SHENZHEN TENDA TECHNOLOGY CO.,LTD.

Tenda Technology Tower ,#1001 Int'l E-City Zhongshanyuan Road,Nanshan District, Shenzhen China 518052

Phone: (86 755) 2765 7180 Fax:(86 755) 2765 7178

Email: sales@tenda.com.cn support@tenda.com.cn

<http://www.tendacn.com>



© 2013 SHENZHEN TENDA TECHNOLOGY CO.,Ltd, the Tenda logo is registered trademark of Shenzhen Tenda Technology Co.,Ltd in China and/or other countries. Other brand and product names are trademarks or registered trademarks of their respective holders. Information is subject to change without notice. ALL rights reserved.