

Tenda

Advanced Data Sheet

What It Does

AC500 is an access controller to configure, manage and monitor the fit APs such as W330A. When you power on the APs, it discovers APs in the network automatically and send the initial configuration to the APs. Then you can manage all the online APs' description, SSID, Channel, Security, output Power and define different VLAN ID for APs to bind SSID to VLAN to establish different Internet access right at one place without move everywhere. Hence, AC500 make network administration more easily, more conveniently.

Hardware Design

- Desktop installation
- 1GHz Broadcom ARM CPU
- 16MB series flash
- 128MB parallel flash
- 128MB RAM
- 5 gigabit LAN ports
- 1*Reset Button
- AC100~240V 50/60Hz

Main Features

- Compliant IEEE 802.3ab/3u/3
- Maximum managed number of APs up to 128
- Built-in DHCP Server for APs
- Define VLAN ID for each port
- Discover AP Automatically
- Send Configuration to APs Automatically
- Modify the Description of APs to identify the location
- Manage SSID, Channel, Security Key, Output power for the APs
- WEP/WPA-PSK/WPA2-PSK
- Define reboot schedule for APs
- Upgrade firmware for APs
- Reset APs configuration
- Monitor APs online status
- Monitor clients online status
- Email alert supported
- Desktop alert supported



Photo 1



Photo 2



Photo 3

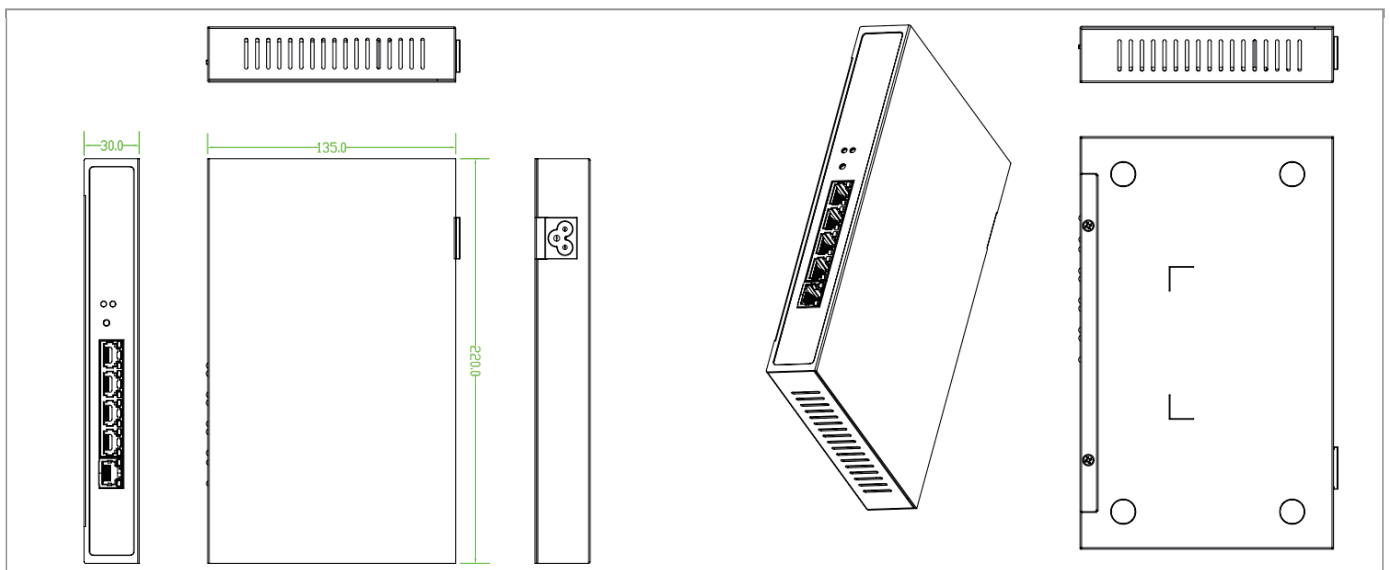


Figure: AC500 Wireframe

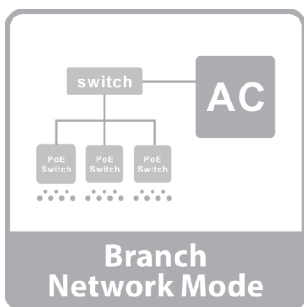
Highlights



AC500 can manage and monitor all the fit AP such as W330A in the network. You can modify the description, SSID, channel, security, output power for APs. Also, you can monitor the APs and clients online status.



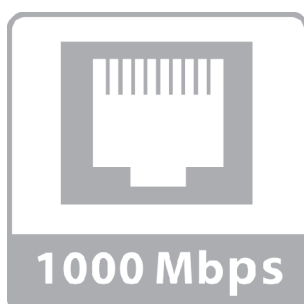
After power on the APs in the network, the APs will get the IP address from the AC500. And then AC500 will discover all the APs automatically.



AC500 deploy as branch network mode. You just need connect it to the core switch in the network without changing your network topology



AC500 support VLAN function, you can define different VLAN ID for each port. Then when manage Aps, you can tag VLAN ID to SSID to establish different Internet access right.



Built-in five gigabit ethernet ports, up to 10x data speed as traditional Fast ethernet port to offer faster data transfer.

Hardware Specification

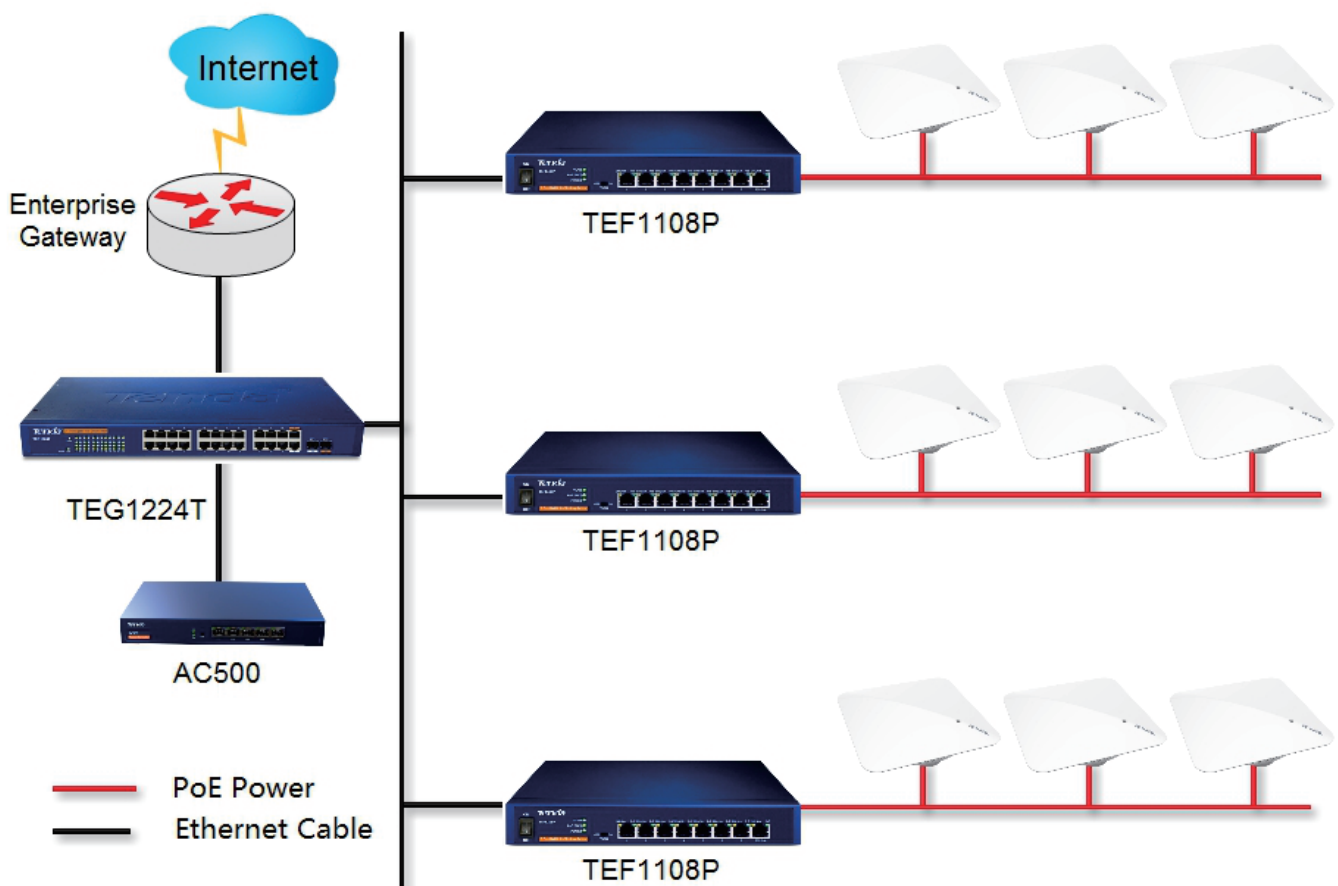
| | |
|------------------------------|------------------------|
| Maximum Manage number of APs | 128 |
| Dimension | 210mm*130mm*30mm |
| Weight | 3.5kg |
| CPU | 1GHz BCM4708 |
| Interfaces | 5*GE LAN Ports |
| LED indicator | SYS, PWR |
| Button | 1*Reset |
| Maximum Consumption | 9w |
| Power | AC10~240v 50/60Hz 0.6A |
| Operating Temperature | -10°C~45°C |
| Storage Temperature | -30°C~70°C |
| Operating Humidity | 10%~90% non-condensing |
| Storage Humidity | 10%~90% non-condensing |
| Certifications | FCC/CE/RoHS |

| Software Specification | |
|-------------------------------|--|
| Compliant Standards | IEEE 802.3ab/3u/3 |
| DHCP Server | Support |
| VLAN | Support |
| Wireless Basic Settings | 4 SSID |
| | Channel 1-13 |
| | Output power adjustable |
| | QLAN |
| Wireless Security Settings | 64/128 WEP |
| | WPA-PSK |
| | WPA2-PSK |
| AP Management Function | Discover AP Automatically |
| | Distribute Configuration Automatically |
| | Modify the Description of APs |
| | Manage SSID, channel, security, output power |
| | Monitor the AP online status |
| | Monitor the client's online status |
| | Upgrade firmware for AP |
| | Define reboot schedule for AP |
| | Email and desktop alert |

Application Introduction

AC500 is a low cost wireless solution for retail & chain, economy hotel, Café etc. Adopt of branch network deployment mode, the network administrator just connect the AC500 to the core switch in the network. Then scan all the APs in the network and manage description, SSID, channel, security, output power of AP. After you finished setting, you can monitor AP and wireless clients online status.

Network Topology



AC500 Access Controller

W330A 300M Ceiling Fit AP

TEF1108P 8 ports FE 802.3af PoE Switch

TEG1224T 24 ports GE Smart Switch

Tenda

Shenzhen Tenda Technology Co., Ltd.
Add.:Tenda Technology Bldg. Int'l E-City, # 1001 Zhong Shan Yuan Rd. ,Nanshan
District, Shenzhen 518055
For Distribution Business:
Tel: (86)755 2765 7180
Email:sales@tenda.com.cn